

600 WATT TVS COMPONENT



DO-214AA PACKAGE

APPLICATIONS

- Automotive

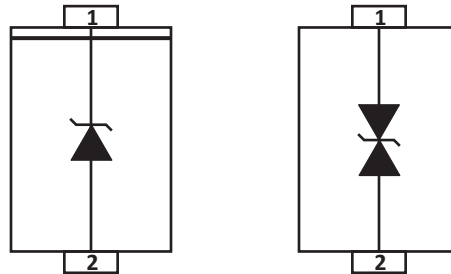
FEATURES

- **AEC-Q101 Qualified**
- Compatible with IEC 61000-4-2 (ESD): Level 4 - Air 15kV, Contact 8kV
- Compatible with IEC 61000-4-4 (EFT): 40A, 5/50ns
- Compatible with IEC 61000-4-5 (Surge): 8/20µs Waveform
- Glass Passivated Chip
- 600 Watts Peak Pulse Power per Line (tp = 10/1000µs)
- Low Leakage Current
- Bidirectional and Unidirectional Configurations
- Excellent Clamping Capability
- Very Fast Response Time
- Available in Multiple Voltages
- RoHS Compliant
- REACH Compliant

MECHANICAL CHARACTERISTICS

- Molded JEDEC DO-214AA Package
- Approximate Weight: 0.103 grams
- Lead-Free Pure-Tin Plating (Annealed)
- Solder Reflow Temperature:
Pure-Tin - Sn, 100: 260-270°C
- 12mm Tape and Reel Per EIA Standard 481
- Terminal: Solderable per MIL-STD-750, Method 2026
- Flammability Rating UL 94V-0

PIN CONFIGURATIONS



TYPICAL DEVICE CHARACTERISTICS
MAXIMUM RATINGS @ 25°C Unless Otherwise Specified

PARAMETER	SYMBOL	VALUE	UNITS
Operating Temperature	T_J	-55 to 150	°C
Storage Temperature	T_{STG}	-55 to 150	°C
Typical Thermal Resistance Junction to Lead	$R_{\theta JL}$	20	°C/W
Typical Thermal Resistance Junction to Ambient	$R_{\theta JA}$	100	°C/W
Peak Pulse Power ($t_p = 10/1000\mu s$) - See Figure 1 and Note 1	P_{PP}	600	Watts
Power Dissipation on Infinite Heatsink at $T_L = 75^\circ C$	P_D	5.0	Watts
Peak Forward Surge Current, 8.3ms single half sinewave - Unidirectional Only (Note 2)	I_{FSM}	100	Amps
Maximum Instantaneous Forward Voltage at 25A - Unidirectional Only (Note 3)	V_F	3.5/5.0	V

NOTE

1. Non-repetitive current pulse per Figure 2 and derated above $T_A = 25^\circ C$ per Figure 3.
2. Measured on 8.3ms single half sinewave or equivalent square wave, duty cycle = 4 pulses per minute maximum.
3. $V_F < 3.5V$ for devices of $V_{BR} < 200V$ and $V_F < 5.0V$ for devices of $V_{BR} > 201V$.

TYPICAL DEVICE CHARACTERISTICS

ELECTRICAL CHARACTERISTICS PER LINE @ 25°C Unless Otherwise Specified

PART NUMBER (Notes 1-3)	DEVICE MARKING		REVERSE STAND-OFF VOLTAGE V_{RWM} VOLTS	BREAKDOWN VOLTAGE $V_{(BR)} @ I_T$ VOLTS		TEST CURRENT @ I_T mA	MAXIMUM CLAMPING VOLTAGE (Fig. 2) @ I_p V_c VOLTS	MAXIMUM REVERSE SURGE CURRENT @ I_{PP} AMPS	MAXIMUM REVERSE LEAKAGE CURRENT @ V_{RWM} I_R μA
	UNI	BI		MIN	MAX				
	PAM30DOAA6.8A	6V8A		6V8C	5.8				
PAM30DOAA7.5A	7V5A	7V5C	6.4	7.13	7.88	10	11.3	53.10	500
PAM30DOAA13A	13A	13C	11.1	10.5	11.6	1	18.2	33.5	1
PAM30DOAA15A	15A	15C	12.8	14.25	15.75	1	21.2	28.30	1
PAM30DOAA18A	18A	18C	15.3	17.10	18.90	1	25.2	23.81	1
PAM30DOAA22A	22A	22C	18.8	20.9	23.10	1	30.6	19.7	1
PAM30DOAA24A	24A	24C	20.5	22.8	25.2	1	33.2	18.4	1
PAM30DOAA27A	27A	27C	23.1	25.65	28.35	1	37.5	16.00	1
PAM30DOAA30A	30A	30C	25.6	28.50	31.50	1	41.4	14.49	1
PAM30DOAA33A	33A	33C	28.2	31.35	34.65	1	45.7	13.13	1
PAM30DOAA36A	36A	36C	30.8	34.2	37.80	1	49.9	12.02	1
PAM30DOAA39A	39A	39C	33.3	37.05	40.95	1	53.9	11.13	1
PAM30DOAA43A	43A	43C	36.8	40.85	45.15	1	59.3	10.12	1
PAM30DOAA56A	56A	56C	47.8	53.20	58.80	1	77.0	7.79	1
PAM30DOAA68A	68A	68C	58.1	64.60	71.40	1	92.0	6.52	1
PAM30DOAA100A	100A	100C	85.5	95	105	1	137.0	4.38	1
PAM30DOAA120A	120A	120C	102.0	114.0	126.0	1	165.0	3.7	1
PAM30DOAA200A	200A	200C	200.0	224.0	247.0	1	324.0	1.9	1
PAM30DOAA220A	220A	220C	185.0	209.0	231.0	1	328.0	1.83	1
PAM30DOAA250A	250A	250C	214.0	237.50	262.50	1	344.0	1.74	1
PAM30DOAA350A	350A	350C	299.3	332.50	367.50	1	482.0	1.24	1
PAM30DOAA400A	400A	400C	342.0	380.0	420.0	1	548.0	1.09	1
PAM30DOAA440A	440A	440C	376.2	418.0	462.0	1	607.2	0.99	1
PAM30DOAA480A	480A	480C	408.0	456.0	504.0	1	658.0	0.90	1
PAM30DOAA540A	540A	540C	460.0	513.0	567.0	1	740.0	0.80	1
PAM30DOAA550A	550A	550C	470.3	522.5	577.5	1	759.0	0.79	1
PAM30DOAA600A	600A	600C	513.0	570.00	630.00	1	828.0	0.72	1

NOTE

1. Suffix 'A' denotes 5% tolerance.
2. Add suffix 'C' or 'CA' after part number to specify a bidirectional device.
3. For bidirectional devices having a V_{RWM} of 10 Volts and under, the I_R limit is double.
4. Consult factory for more voltages.

TYPICAL DEVICE CHARACTERISTICS

FIGURE 1
PEAK PULSE POWER VS PULSE TIME

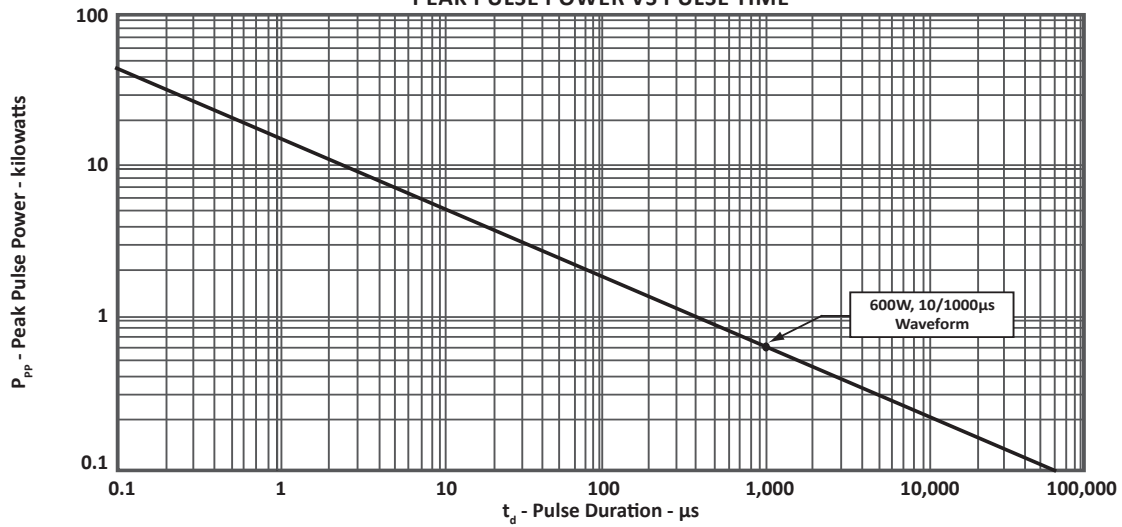


FIGURE 2
PULSE WAVEFORM

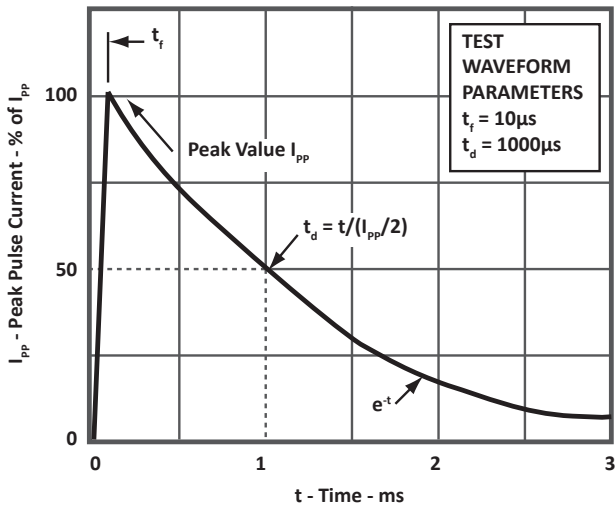
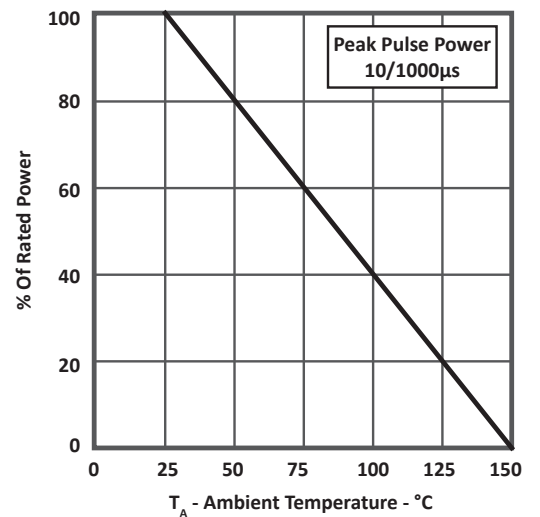


FIGURE 3
POWER DERATING CURVE



TYPICAL DEVICE CHARACTERISTICS

FIGURE 4
TYPICAL JUNCTION CAPACITANCE

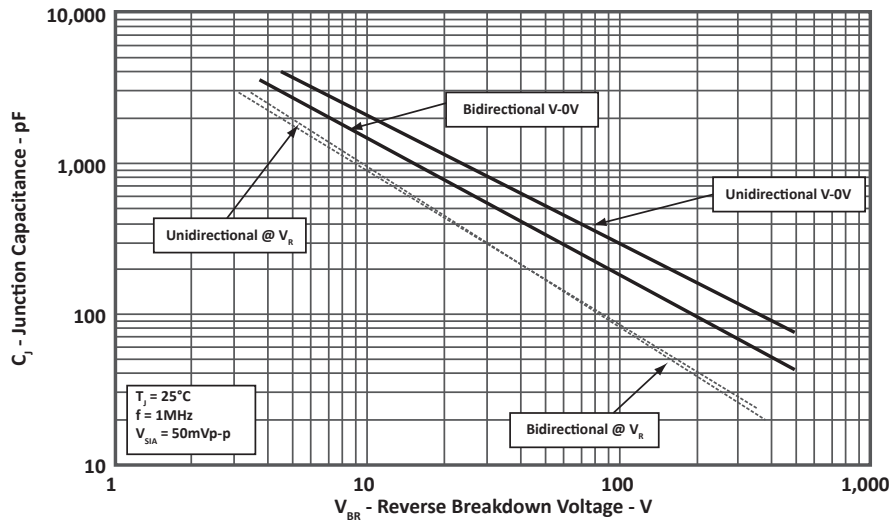


FIGURE 5
MAXIMUM NON-REPETITIVE FORWARD SURGE CURRENT

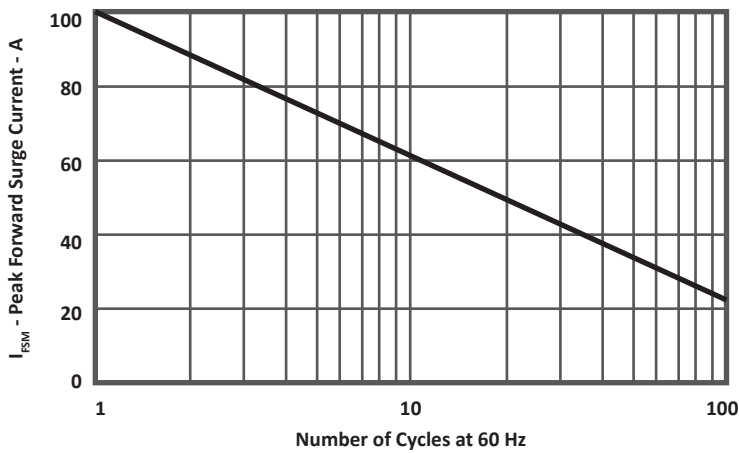
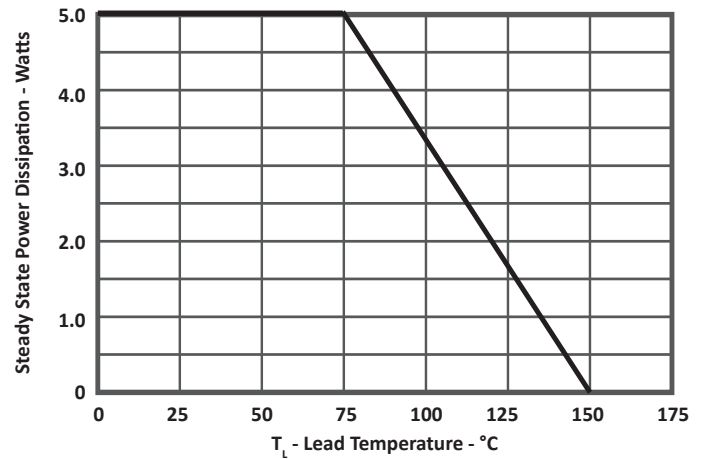


FIGURE 6
STEADY STATE POWER DERATING CURVE



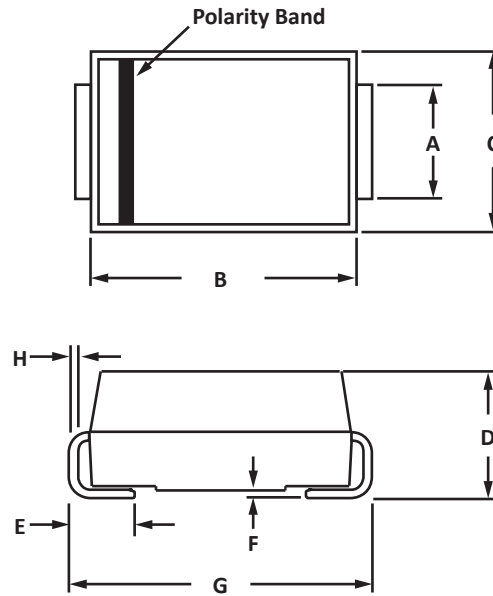
DO-214AA PACKAGE INFORMATION

OUTLINE DIMENSIONS

DIM	MILLIMETERS		INCHES	
	MIN	MAX	MIN	MAX
A	1.96	2.20	0.077	0.087
B	4.35	4.85	0.171	0.191
C	3.30	3.94	0.130	0.155
D	2.13	2.44	0.084	0.096
E	0.75	1.52	0.030	0.060
F	0.02	0.20	0.001	0.008
G	5.10	5.50	0.201	0.216
H	0.15	0.30	0.006	0.012

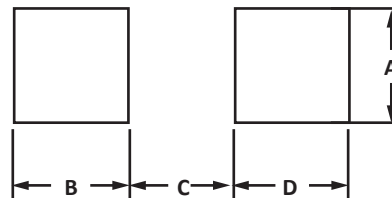
NOTES

1. Dimensions are exclusive of mold flash and metal burrs.

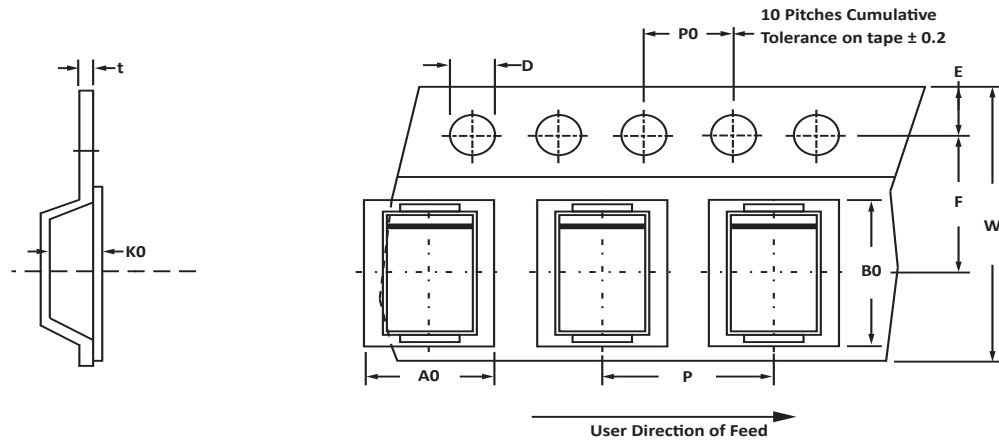


PAD LAYOUT DIMENSIONS

DIM	MILLIMETERS		INCHES	
	MIN	MAX	MIN	MAX
A	2.03	-	0.080	-
B	1.91	-	0.075	-
C	-	2.54	-	1.00
D	1.91	-	0.075	-



TAPE AND REEL



SPECIFICATIONS

REEL DIA.	TAPE WIDTH	A0	B0	K0	D	E	F	W	P0	P	tmax
330mm (13")	12mm	3.67 ± 0.10	5.69 ± 0.10	2.67 ± 0.10	1.55 ± 0.10	1.75 ± 0.10	5.5 ± 0.05	12.00 ± 0.30	4.00 ± 0.10	8.00 ± 0.10	0.4

NOTES

- Dimensions are in millimeters.
- Surface mount product is taped and reeled in accordance with EIA-481.
- Suffix - T13 = 13" Reel - 3,000 pieces per 12mm tape.
- Marking on Part - marking code (see page 2), date code, logo and cathode defined by polarity band.

ORDERING INFORMATION

BASE PART NUMBER (XX = VOLTAGE)	LEADFREE SUFFIX	TAPE SUFFIX	QTY/REEL	REEL SIZE	TUBE QTY
PAM30DOAAxxA/CA	N/A	-T13	3,000	13"	N/A

This device is only available in a Lead-Free configuration.

COMPANY INFORMATION

COMPANY PROFILE

In business more than 25 years, ProTek Devices™ is a privately held semiconductor company. The company offers a product line of overvoltage protection and overcurrent protection components. These include transient voltage suppressor array (TVS arrays) avalanche breakdown diode, steering diode TVS array and electronics SMD chip fuses. These components deliver circuit protection in electronic systems from numerous overvoltage and overcurrent events. They include lightning; electrostatic discharge (ESD); nuclear electromagnetic pulses (NEMP); inductive switching; and electromagnetic interference (EMI) / radio frequency interference (RFI). ProTek Devices also offers LED wafer die for ESD protection and related high frequency products. ProTek Devices is ISO 9001:2015 certified.

CONTACT US

Corporate Headquarters

2929 South Fair Lane
Tempe, Arizona 85282
USA

By Telephone

General: 602-431-8101
Sales: & Marketing: 602-414-5109
Customer Service: 602-414-5114
Product Technical Support: 602-414-5107

By Fax

General: 602-431-2288

By E-mail:

Asia Sales: asiasales@protekdevices.com
Europe Sales: europesales@protekdevices.com
U.S. Sales: ussales@protekdevices.com
Distributor Sales: distysales@protekdevices.com
Customer Service: service@protekdevices.com
Technical Support: support@protekdevices.com

ProTek Devices (Asia Pacific) Pte. Ltd.

8 Ubi Road 2, #06-19
Zervex
Singapore - 408538
Tel: +65-67488312
Fax: +65-67488313

Web

www.protekdevices.com

COPYRIGHT © ProTek Devices 2017 - This literature is subject to all applicable copyright laws and is not for resale in any manner.

SPECIFICATIONS: ProTek reserves the right to change the electrical and or mechanical characteristics described herein without notice.

DESIGN CHANGES: ProTek reserves the right to discontinue product lines without notice and that the final judgement concerning selection and specifications is the buyer's and that in furnishing engineering and technical assistance. ProTek assumes no responsibility with respect to the selection or specifications of such products. ProTek makes no warranty, representation or guarantee regarding the suitability of its products for any particular purpose, nor does ProTek assume any liability arising out of the application or use of any product or circuit and specifically disclaims any and all liability without limitation special, consequential or incidental damages.

LIFE SUPPORT POLICY: ProTek Devices products are not authorized for use in life support systems without written consent from the factory.