

1500 WATT TVS COMPONENT



DO-214AB PACKAGE

APPLICATIONS

- Automotive

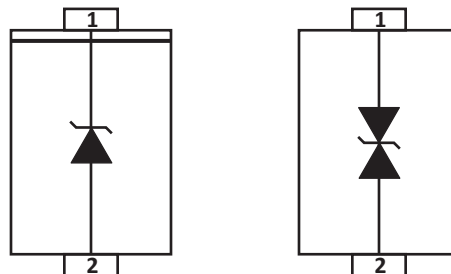
FEATURES

- AEC-Q101 Qualified
- UL Registered
- Compatible with IEC 61000-4-2 (ESD): Level 4 - Air 15kV, Contact 8kV
- Compatible with IEC 61000-4-4 (EFT): 40A, 5/50ns
- Compatible with IEC 61000-4-5 (Surge): 8/20 μ s Waveform
- Glass Passivated Chip
- 1500 Watts Peak Pulse Power per Line ($t_p = 10/1000\mu$ s)
- Low Leakage Current
- Unidirectional & Bidirectional Configurations
- Excellent Clamping Capability
- Very Fast Response Time
- RoHS Compliant
- REACH Compliant

MECHANICAL CHARACTERISTICS

- Molded JEDEC DO-214AB Package
- Approximate Weight: 0.248 grams
- Lead-Free Pure-Tin Plating (Annealed)
- Solder Reflow Temperature:
Pure-Tin - Sn, 100: 260-270°C
- 16mm Tape and Reel Per EIA Standard 481
- Terminal: Solderable per MIL-STD-750, Method 2026
- Flammability Rating UL 94V-0

PIN CONFIGURATIONS



TYPICAL DEVICE CHARACTERISTICS

MAXIMUM RATINGS @ 25°C Unless Otherwise Specified

PARAMETER	SYMBOL	VALUE	UNITS
Operating Temperature	T_A	-55 to 150	°C
Storage Temperature	T_{STG}	-55 to 150	°C
Peak Pulse Power (tp =10/1000µs) - See Figure 1 and Note 2	P_{PP}	1500	Watts
Power Dissipation on Infinite Heatsink at $T_L = 75^\circ\text{C}$	P_D	6.5	Watts
Peak Forward Surge Current, 8.3ms single half sinewave - Unidirectional Only (Note 2)	I_{FSM}	200	Amps
Maximum Instantaneous Forward Voltage at 100A - Unidirectional Only (Note 3)	V_F	3.5/5.0	V

NOTE

1. Non-repetitive current pulse per Figure 2 and derated above $T_A = 25^\circ\text{C}$ per Figure 2.
2. Measured on 8.3ms single half sinewave or equivalent square wave, duty cycle = 4 pulses per minute maximum.
3. $V_F < 3.5\text{V}$.

ELECTRICAL CHARACTERISTICS PER LINE @ 25°C Unless Otherwise Specified

PART NUMBER (Notes 1-2)	DEVICE MARKING		REVERSE STAND-OFF VOLTAGE V_{RWM} VOLTS	BREAKDOWN VOLTAGE $V_{(BR)} @ I_T$ VOLTS		TEST CURRENT $@ I_T$ mA	MAXIMUM CLAMPING VOLTAGE (Fig. 2) $@ I_P$ V_C VOLTS	MAXIMUM REVERSE SURGE CURRENT $@ I_{PP}$ AMPS	MAXIMUM REVERSE LEAKAGE CURRENT $@ V_{RWM}$ I_R µA
	UNI	BI		MIN	MAX				
PAM31DOAB13A	GEG	BEG	13.0	14.40	15.90	1	21.5	69.8	1
PAM31DOAB18A	GET	BET	18.0	20.00	22.10	1	29.2	51.4	1
PAM31DOAB20A	GEV	BEV	20.0	22.20	24.50	1	32.4	46.3	1
PAM31DOAB22A	GEX	BEX	22.0	24.4	26.90	1	35.5	42.3	1
PAM31DOAB24A	GEZ	BEZ	24.0	26.70	29.50	1	38.9	38.6	1
PAM31DOAB26A	GFE	BFE	26.0	28.90	31.90	1	42.1	35.6	1
PAM31DOAB28A	GFG	BFG	28.0	31.10	34.40	1	45.4	33.0	1
PAM31DOAB33A	GFM	BFM	33.0	36.7	40.6	1	53.3	28.1	1
PAM31DOAB36A	GFP	BFP	36.0	40.00	44.20	1	58.1	25.8	1
PAM31DOAB48A	GFX	BFX	48.0	53.30	58.90	1	77.4	19.4	1
PAM31DOAB51A	GFZ	BFZ	51.0	56.70	62.70	1	82.4	18.2	1
PAM31DOAB54A	GGE	BGE	54.0	60.00	66.30	1	87.1	17.2	1
PAM31DOAB120A	GHG	BHG	120.0	133.0	147.0	1	193.0	7.8	1
PAM31DOAB170A	GHR	BHR	170.0	189.00	209.00	1	275.0	5.5	1

NOTE

1. 5% tolerance.
2. Add suffix 'C' to specify a bidirectional device, i.e., PAM31DOABxxCA.

TYPICAL DEVICE CHARACTERISTICS

FIGURE 1
PEAK PULSE POWER VS PULSE TIME

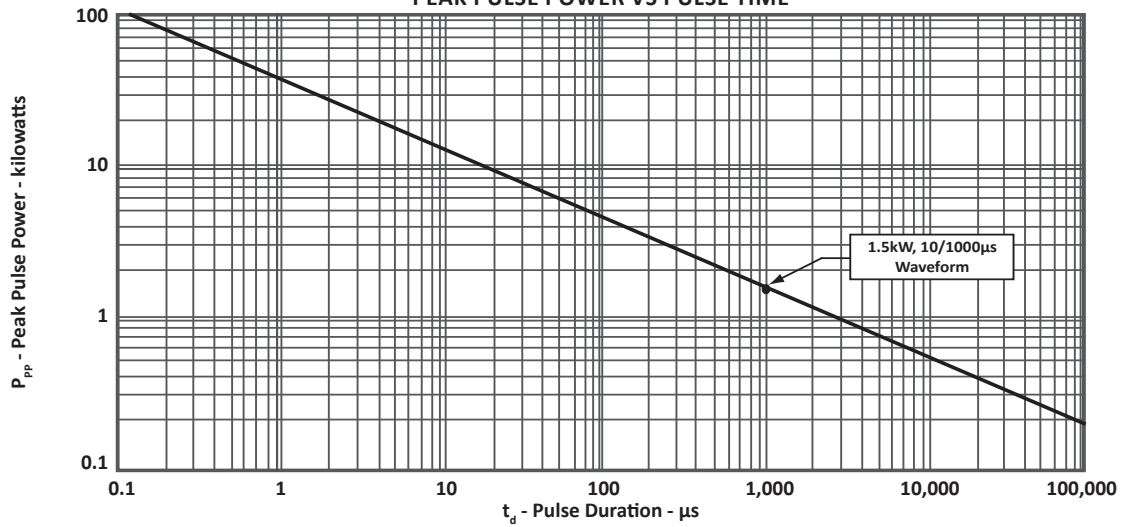


FIGURE 2
PULSE WAVEFORM

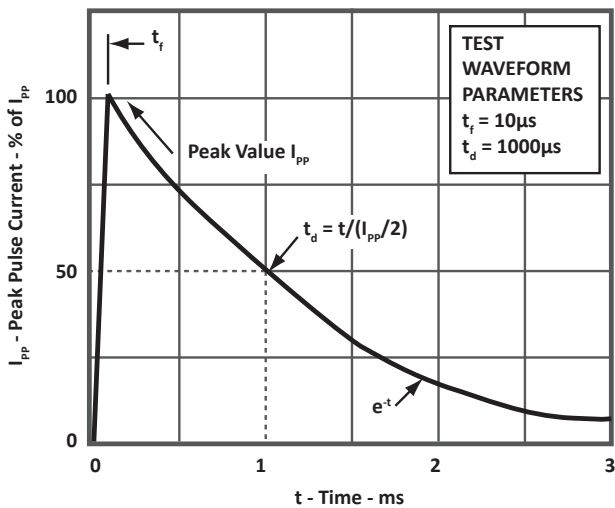
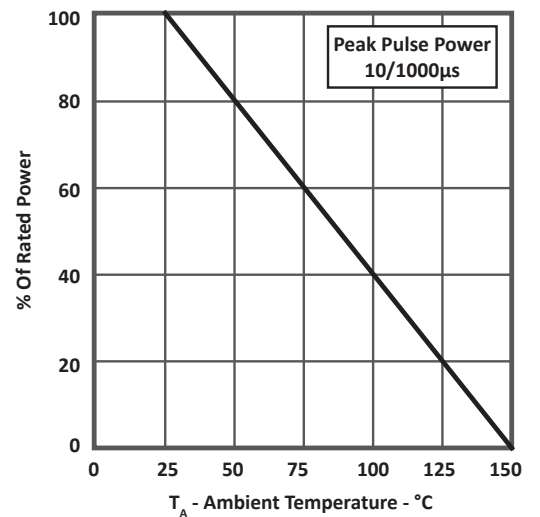
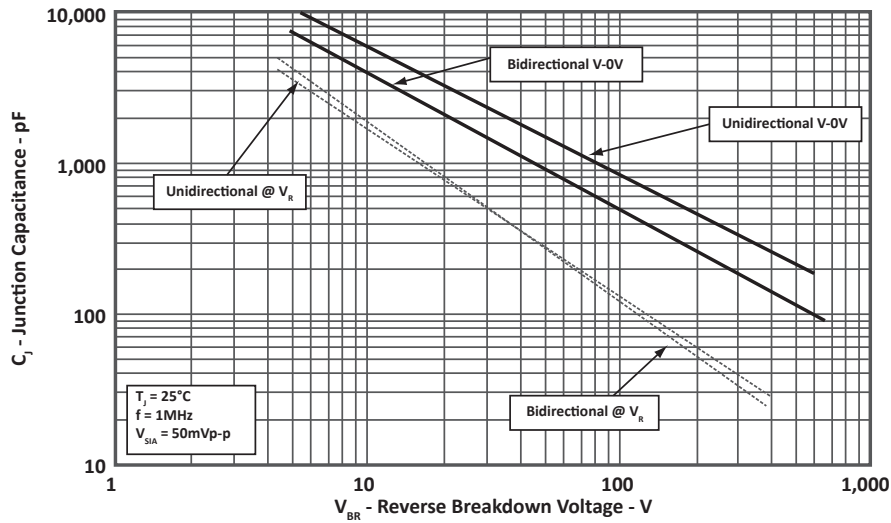


FIGURE 3
POWER DERATING CURVE

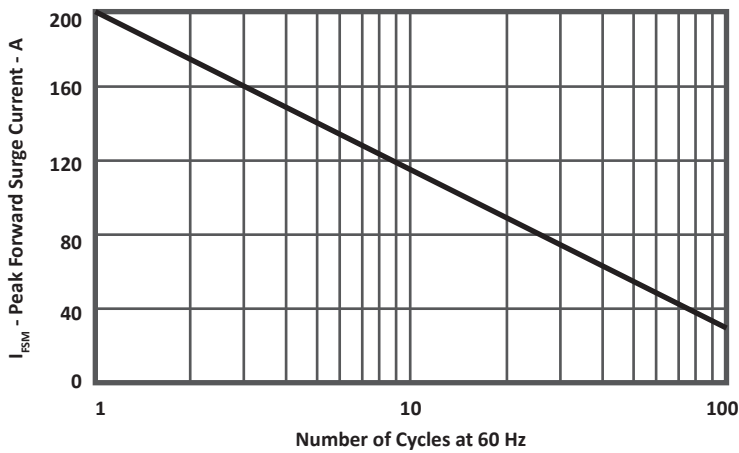


TYPICAL DEVICE CHARACTERISTICS

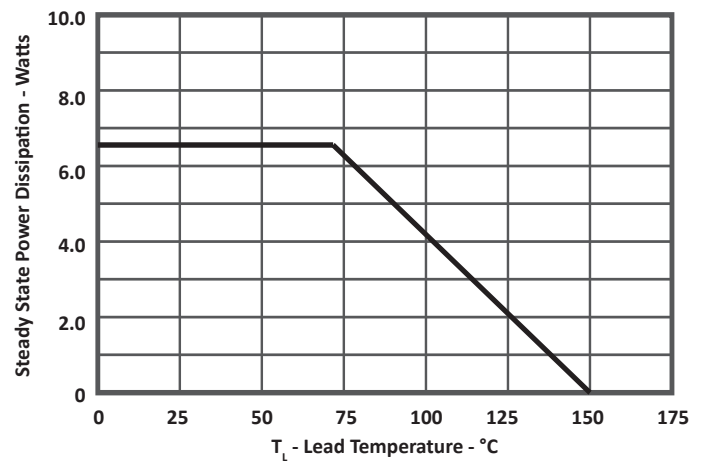
**FIGURE 4
TYPICAL JUNCTION CAPACITANCE**



**FIGURE 5
MAXIMUM NON-REPETITIVE FORWARD SURGE CURRENT**



**FIGURE 6
STEADY STATE POWER DERATING CURVE**



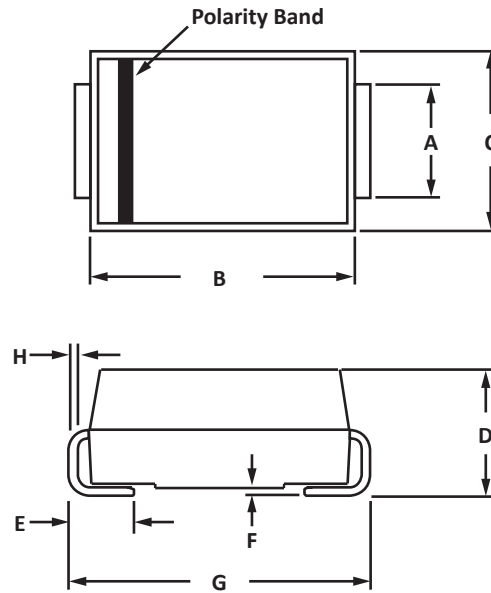
DO-214AB PACKAGE INFORMATION

OUTLINE DIMENSIONS

DIM	MILLIMETERS		INCHES	
	MIN	MAX	MIN	MAX
A	2.75	3.25	0.108	0.128
B	6.90	7.40	0.272	0.291
C	5.75	6.25	0.226	0.246
D	2.15	2.62	0.085	0.103
E	0.95	1.52	0.037	0.060
F	0.051	0.203	0.002	0.008
G	7.70	8.20	0.303	0.323
H	0.15	0.31	0.006	0.012

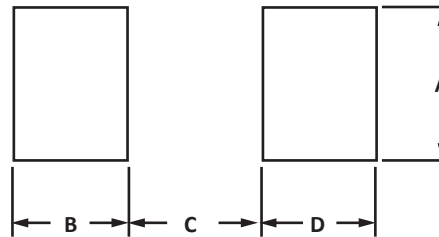
NOTES

1. Dimensions are exclusive of mold flash and metal burrs.

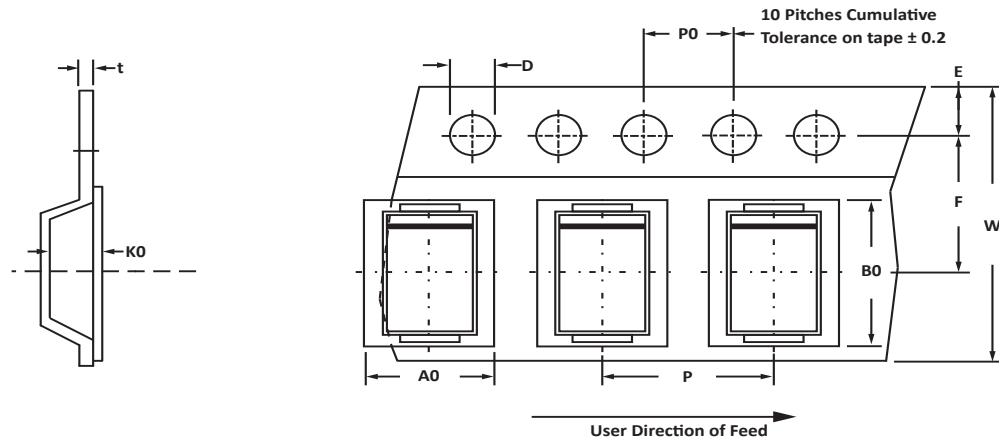


PAD LAYOUT DIMENSIONS

DIM	MILLIMETERS		INCHES	
	MIN	MAX	MIN	MAX
A	3.30	-	0.130	-
B	2.40	-	0.094	-
C	-	4.20	-	0.165
D	2.40	-	0.094	-



TAPE AND REEL



SPECIFICATIONS

REEL DIA.	TAPE WIDTH	A0	B0	K0	D	E	F	W	P0	P	tmax
330mm (13")	16mm	6.05 ± 0.30	8.31 ± 0.30	2.54 ± 0.10	1.55 ± 0.05	1.75 ± 0.10	7.5 ± 0.10	16.00 ± 0.30	4.00 ± 0.10	8.00 ± 0.10	0.4

NOTES

- Dimensions are in millimeters.
- Surface mount product is taped and reeled in accordance with EIA-481.
- Marking on Part - marking code (see page 2), date code, logo and cathode defined by polarity band.

ORDERING INFORMATION

BASE PART NUMBER	LEADFREE SUFFIX	TAPE SUFFIX	QTY/REEL	REEL SIZE	TUBE QTY
PAM31DOABxxA/CA	N/A	-T13	3,000	13"	N/A
PAM31DOABxxA/CA	N/A	-T500	500	7"	N/A

This device is only available in a Lead-Free configuration.

COMPANY INFORMATION

COMPANY PROFILE

In business more than 25 years, ProTek Devices™ is a privately held semiconductor company. The company offers a product line of overvoltage protection and overcurrent protection components. These include transient voltage suppressor array (TVS arrays) avalanche breakdown diode, steering diode TVS array and electronics SMD chip fuses. These components deliver circuit protection in electronic systems from numerous overvoltage and overcurrent events. They include lightning; electrostatic discharge (ESD); nuclear electromagnetic pulses (NEMP); inductive switching; and electromagnetic interference (EMI) / radio frequency interference (RFI). ProTek Devices also offers LED wafer die for ESD protection and related high frequency products. ProTek Devices is ISO 9001 certified company.

CONTACT US

Corporate Headquarters

2929 South Fair Lane
Tempe, Arizona 85282
USA

By Telephone

General: 602-431-8101
Sales: & Marketing: 602-414-5109
Customer Service: 602-414-5114
Product Technical Support: 602-414-5107

By Fax

General: 602-431-2288

By E-mail:

Asia Sales: asiasales@protekdevices.com
Europe Sales: europesales@protekdevices.com
U.S. Sales: ussales@protekdevices.com
Distributor Sales: distysales@protekdevices.com
Customer Service: service@protekdevices.com
Technical Support: support@protekdevices.com

ProTek Devices (Asia Pacific) Pte. Ltd.

8 Ubi Road 2, #06-19
Zervex
Singapore - 408538
Tel: +65-67488312
Fax: +65-67488313

Web

www.protekdevices.com

COPYRIGHT © ProTek Devices 2017 - This literature is subject to all applicable copyright laws and is not for resale in any manner.

SPECIFICATIONS: ProTek reserves the right to change the electrical and or mechanical characteristics described herein without notice.

DESIGN CHANGES: ProTek reserves the right to discontinue product lines without notice and that the final judgement concerning selection and specifications is the buyer's and that in furnishing engineering and technical assistance. ProTek assumes no responsibility with respect to the selection or specifications of such products. ProTek makes no warranty, representation or guarantee regarding the suitability of its products for any particular purpose, nor does ProTek assume any liability arising out of the application or use of any product or circuit and specifically disclaims any and all liability without limitation special, consequential or incidental damages.

LIFE SUPPORT POLICY: ProTek Devices products are not authorized for use in life support systems without written consent from the factory.