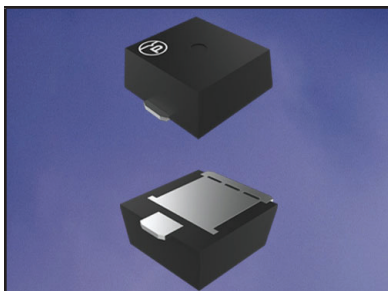


HIGH POWERED TVS COMPONENT



SMT0-218(TAB) PACKAGE

DESCRIPTION

The SKCxxxCS series are high current, bidirectional transient voltage suppressors that are designed for AC line protection and high-power DC bus clamping applications. These devices provide a clamping voltage lower than the avalanche voltage; any voltage rise due to increased current conduction is contained to a minimum, providing the best possible protection level. The SKCxxxCS series can be connected in series or in parallel to create very high capability protection solutions. These devices will also provide protection in accordance with IEC 61000-4-2, IEC 61000-4-4 and IEC 61000-4-5 requirements. The SKCxxxCS series is available in a SMT0-218(Tab) package configuration and is rated at 1600 Watts peak pulse power (8/20 μ s) per line.

FEATURES

- Compatible with IEC 61000-4-2 (ESD): Air \pm 30kV, Contact \pm 30kV
- Compatible with IEC 61000-4-4 (EFT): 40A, 5/50ns
- Compatible with IEC 61000-4-5 (Surge)
- 1600 kilowatts Peak Pulse Power per Line(tp = 8/20 μ s)
- High Current Capability
- Surface Mount Device
- Excellent Clamping Voltage
- Glass Passivated Junction
- Bidirectional Configuration
- Low Slope Resistance
- Repetition Rate (Duty Cycle): 0.01%
- Hazardous Substance Free
- RoHS Complaint (Exemption #7)

APPLICATIONS

- DC & AC Applications
- Remote Transmission Lines
- Industrial Wiring

MECHANICAL CHARACTERISTICS

- SMT0-218 (Tab) Package
- Approximate Weight: 6.5grams
- High Temperature Soldering: 260°C / 10 seconds at Terminals
- Flammability Rating UL 94V-0
- Marking: Part Number, Date Code, Logo

CIRCUIT DIAGRAM



TYPICAL DEVICE CHARACTERISTICS
MAXIMUM RATINGS @ 25°C Unless Otherwise Specified

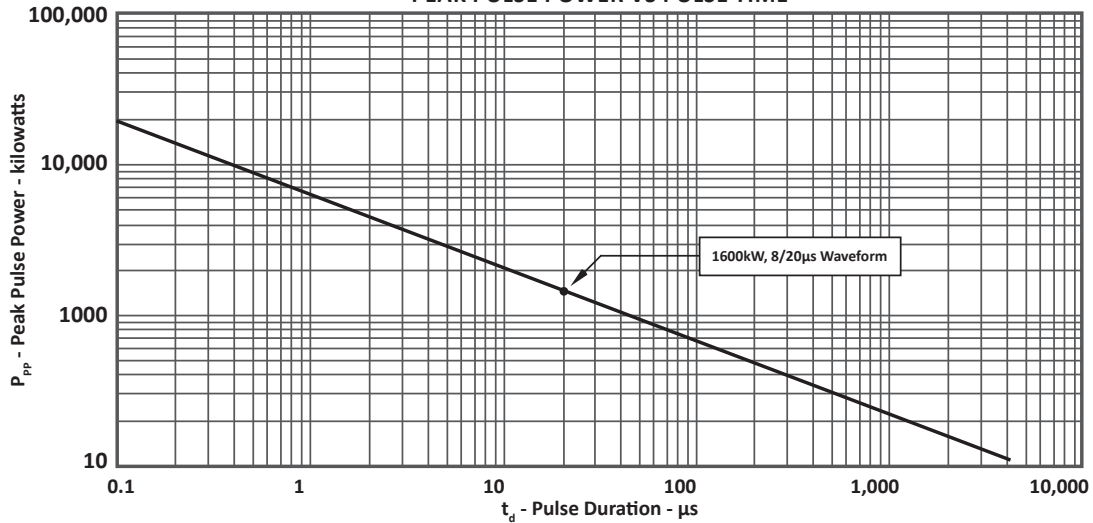
PARAMETER	SYMBOL	VALUE	UNITS
Peak Pulse Power (tp = 8/20μs) - See Figure 1	P_{PP}	1600	kilowatts
Operating Temperature	T_L	-55 to 150	°C
Storage Temperature	T_{STG}	-55 to 150	°C
Current Rating I_{PP} @ 8/20μs	I_{PP}	10	kA

ELECTRICAL CHARACTERISTICS PER LINE @ 25°C Unless Otherwise Specified

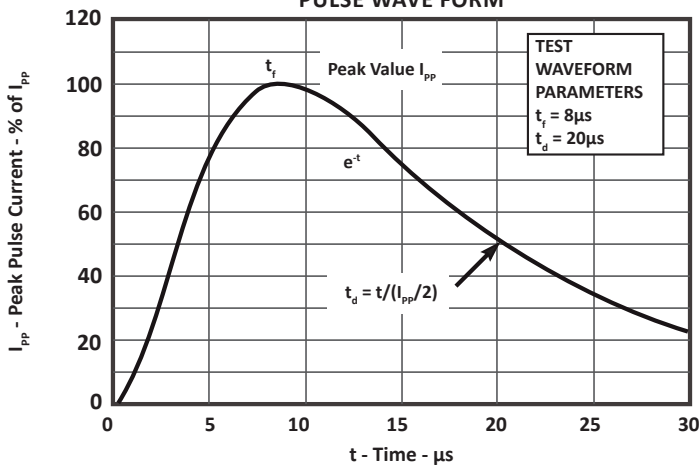
PART NUMBER	REVERSE STAND-OFF VOLTAGE V_{WM} VOLTS	MINIMUM BREAKDOWN VOLTAGE $V_{(BR)}$ @ I_T VOLTS	TEST CURRENT @ I_T mA	CURRENT RATING 8/20μs kA	MAXIMUM CLAMPING VOLTAGE @ I_{PP} V_C VOLTS	REVERSE LEAKAGE CURRENT @ V_{DC} I_R μA
SKC-058CS	58.0	64.0	10	10	110.0	5
SKC-066CS	66.0	72.0	10	10	120.0	5
SKC-076CS	76.0	83.0	10	10	140.0	5
SKC-086CS	86.0	95.0	10	10	157.0	5

TYPICAL DEVICE CHARACTERISTICS

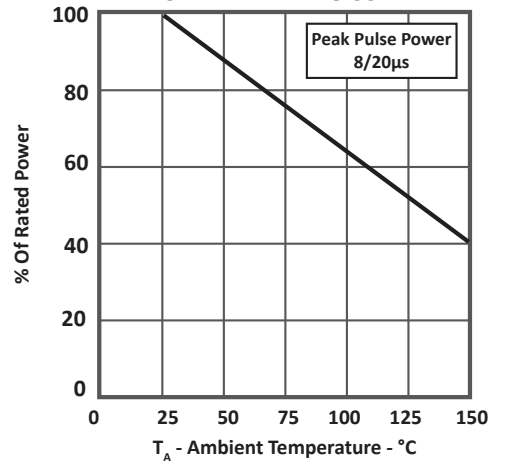
**FIGURE 1
PEAK PULSE POWER VS PULSE TIME**



**FIGURE 2
PULSE WAVE FORM**



**FIGURE 3
POWER DERATING CURVE**

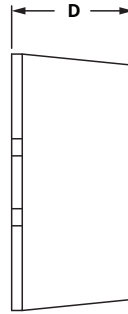


PACKAGE INFORMATION

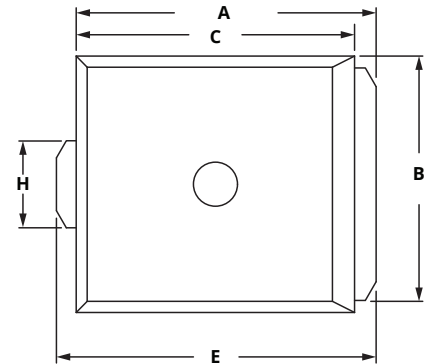
OUTLINE DIMENSIONS

DIM	MILLIMETERS		INCHES	
	MIN	MAX	MIN	MAX
A	17.00	17.60	0.669	0.693
B	14.50	15.10	0.571	0.594
C	15.75	16.35	0.620	0.644
D	6.85	7.20	0.270	0.283
E	18.20	18.70	0.717	0.736
F	13.10	13.60	0.516	0.535
G	3.15	3.75	0.124	0.148
H	4.85	5.15	0.191	0.203
J	0.50	0.70	0.020	0.028
L	13.20	13.60	0.520	0.535

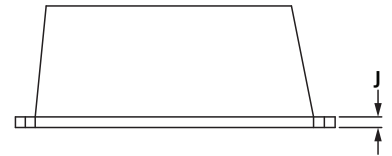
SIDE VIEW



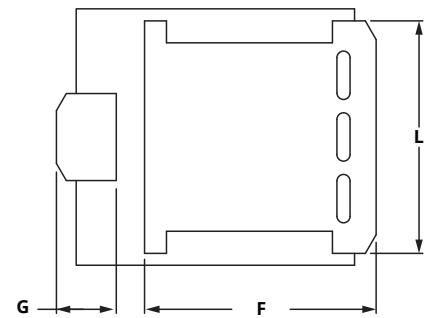
TOP VIEW



SIDE VIEW

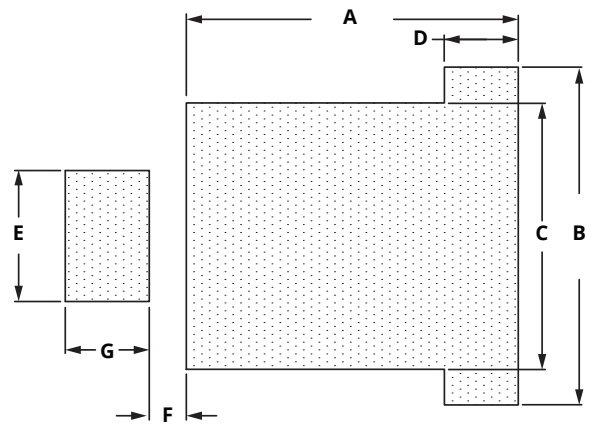


BOTTOM VIEW

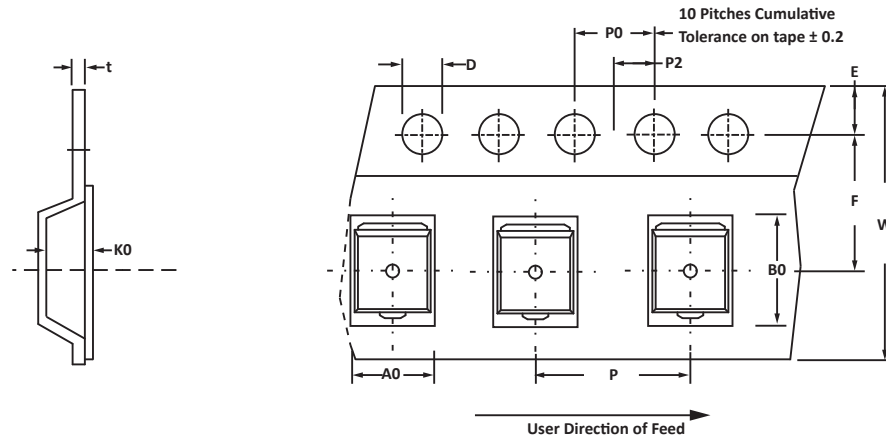


PAD LAYOUT DIMENSIONS

DIM	MILLIMETERS	INCHES
	NOMINAL	NOMINAL
A	13.46	0.530
B	13.69	0.539
C	10.80	0.425
D	3.00	0.118
E	5.31	0.209
F	1.50	0.059
G	3.40	0.134



TAPE AND REEL



SPECIFICATIONS

REEL DIA.	TAPE WIDTH	A0	B0	K0	D	E	F	W	P0	P2	P	tmax
330mm (13.00")	36mm	15.1 ± 0.30	18.8 ± 0.30	16.5 ± 0.10	1.50 ± 0.10	1.75 ± 0.10	14.2 ± 0.2	36.0 ± 0.5	4.00 ± 0.10	2.0 ± 0.20	20.0 ± 0.20	0.25

NOTES

- Dimensions are in millimeters.
- Surface mount product is taped and reeled in accordance with EIA-481.
- Marking on Part - marking code (see page 2) and pin one defined by dot on package.

ORDERING INFORMATION

BASE PART NUMBER (xx = Voltage)	LEADFREE SUFFIX	TAPE SUFFIX	QTY/REEL	REEL SIZE	TUBE QTY
SKCxxxCS	N/A	-T13	400	13"	n/a

This device is only available in a Lead-Free configuration.

COMPANY INFORMATION

COMPANY PROFILE

In business more than 30 years, ProTek Devices™ is a privately held semiconductor company. The company offers a product line of overvoltage protection and overcurrent protection components. These include transient voltage suppressor array (TVS arrays) avalanche breakdown diode, steering diode TVS array and electronics SMD chip fuses. These components deliver circuit protection in electronic systems from numerous overvoltage and overcurrent events. They include lightning; electrostatic discharge (ESD); nuclear electromagnetic pulses (NEMP); inductive switching; and electromagnetic interference (EMI) / radio frequency interference (RFI). ProTek Devices also offers LED wafer die for ESD protection and related high frequency products. ProTek Devices is an ISO 9001 certified company.

CONTACT US

Corporate Headquarters

2929 South Fair Lane
Tempe, Arizona 85282
USA

By Telephone

General: 602-431-8101
Sales: & Marketing: 602-414-5109
Customer Service: 602-414-5114
Product Technical Support: 602-414-5107

By Fax

General: 602-431-2288

By E-mail:

Asia Sales: asiasales@protekdevices.com
Europe Sales: europesales@protekdevices.com
U.S. Sales: ussales@protekdevices.com
Distributor Sales: distysales@protekdevices.com
Customer Service: service@protekdevices.com
Technical Support: support@protekdevices.com

ProTek Devices (Asia Pacific) Pte. Ltd.

8 Ubi Road 2, #06-19
Zervex
Singapore - 408538
Tel: +65-67488312
Fax: +65-67488313

Web

www.protekdevices.com

COPYRIGHT © ProTek Devices 2022 - This literature is subject to all applicable copyright laws and is not for resale in any manner.

SPECIFICATIONS: ProTek reserves the right to change the electrical and or mechanical characteristics described herein without notice.

DESIGN CHANGES: ProTek reserves the right to discontinue product lines without notice and that the final judgement concerning selection and specifications is the buyer's and that in furnishing engineering and technical assistance. ProTek assumes no responsibility with respect to the selection or specifications of such products. ProTek makes no warranty, representation or guarantee regarding the suitability of its products for any particular purpose, nor does ProTek assume any liability arising out of the application or use of any product or circuit and specifically disclaims any and all liability without limitation special, consequential or incidental damages.

LIFE SUPPORT POLICY: ProTek Devices products are not authorized for use in life support systems without written consent from the factory.